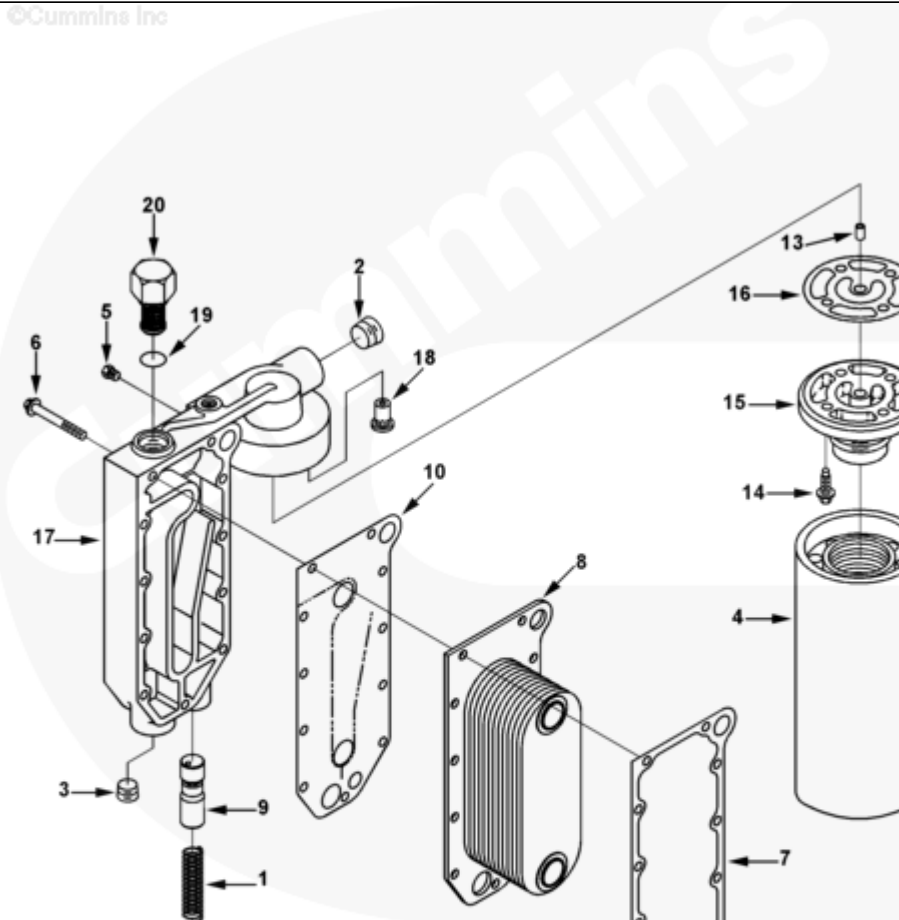




Parts Catalog - Option Detail

| Electronic Parts Catalog - Option Detail | | | | |
|--|--|---------|-----------|-----------|
| Option | Group | Graphic | Film Card | Date |
| LC9028-11 | 07.05 | lc940gd | Z | 04-AUG-04 |
| Engines | 6C8.3, C GAS PLUS CM556, G8.3, G8.3 CM558, GTA8.3 CM558, ISC CM2150, ISC CM554, ISC CM850, ISC8.3 CM2250, ISC8.3 G CM2180 C101, ISL CM2150, ISL CM554, ISL CM850, ISL G CM2180, ISL8.9 CM2150 L110, ISL8.9 CM2880 L112, ISL9 CM2150 SN, ISL9 CM2250, ISL9 CM2350 L101, ISL9 CM2350 L111, ISLE4 CM850, L GAS PLUS CM556, L8.9, L8.9 L121, L8.9G CMOH2.0 L125B, L9 CM2350 L116B, L9 CM2350 L119B, L9 CM2350 L120C, L9 CM2350 L123B, L9.3 L105, L9.5 L117, L9N CM2380 L124B, QSC8.3 CM2250, QSC8.3 CM2880 C102, QSC8.3 CM554, QSC8.3 CM850(CM2850), QSL9 CM2250, QSL9 CM2250 L115, QSL9 CM2350 L102, QSL9 CM2350 L107, QSL9 CM2350 L118, QSL9 CM2350 L122, QSL9 CM554, QSL9 CM850(CM2850), QSL9 G CM558, QSL9 M CM2250 L106, QSL9.3 CM2880 L113 | | | |



lc940gd

| Cart | Ref No | Part Number | Part Description | Required | Remarks |
|---|--------|---------------------------|--------------------------------|----------|--|
| <input type="button" value="View My Cart"/> | | | | | |
| | | LC9028-11 | Engine Oil Cooler | | Engine Oil Cooler...(More) |
| | | | | | Cylinders: 6 |
| | | | | | Cooler Type: Plate |
| | | | | | Mounting Position/Location: |
| | | | | | Vertical |
| | | | | | Filter Material: Cellulose |
| | | | | | Unique Characteristics: |
| | | | | | W/Full Flow Bypass Filter |
| | | | | | Filter Head Thickness (mm): |
| | | | | | 43.50 |
| | | | | | Engine Family: C Series |
| | | | | | Restricted Aspiration: |
| | | | | | Charged Air Cooled |
| | | | | | Jacket Water Aftercooled |
| | | | | | Sea Water Aftercooled |
| | | | | | Turbocharged |
| | | | | | Pressure Relief Set |
| | | | | | (PSI): 65 |
| | | | | | |
| <input type="checkbox"/> | 1 | 3970655 | Compression Spring | 1 | |
| <input type="checkbox"/> | 2 | 3008469 | Pipe Plug | 1 | 3/4 NPT |
| <input type="checkbox"/> | 3 | 3008468 | Pipe Plug | 1 | 1/2 NPT. |
| <input type="checkbox"/> | 4 | 3401544 | Lubricating Oil Filter Element | 1 | |
| <input type="checkbox"/> | 5 | 3906619 | Pipe Plug | 2 | 1/8 NPT. |
| <input type="checkbox"/> | 6 | 3966976 | Hexagon Flange Head Cap Screw | 11 | M8 x 1.25 x 65 |
| <input type="checkbox"/> | 7 | 3918174 | Oil Cooler Core Gasket | 1 | |
| <input type="checkbox"/> | 8 | 3974815 | Cooler Core | 1 | |
| <input type="checkbox"/> | 9 | 3945967 | Pressure Regulator Plunger | 1 | Use W/Dump to Sump ISL Block. |

| | | | | | |
|--------------------------|----|-------------------------|-------------------------------------|---|----------------|
| <input type="checkbox"/> | 10 | 3929011 | Lubricating Oil Cooler Cover Gasket | 1 | |
| <input type="checkbox"/> | | 3931084 | Threaded Plug | 1 | |
| <input type="checkbox"/> | 11 | 3930910 | Threaded Plug | 1 | |
| <input type="checkbox"/> | 12 | 3930911 | O-Ring Seal | 1 | |
| <input type="checkbox"/> | | 3934159 | Lubricating Oil Filter Head | 1 | |
| <input type="checkbox"/> | 13 | 118227 | Ring Dowel | 1 | |
| <input type="checkbox"/> | 14 | 3907860 | Hexagon Flange Head Cap Screw | 4 | M8 x 1.25 x 25 |
| <input type="checkbox"/> | 15 | 3918334 | Lubricating Oil Filter Head | 1 | |
| <input type="checkbox"/> | 16 | 3992092 | Connection Gasket | 1 | |
| <input type="checkbox"/> | 17 | 3931077 | Lubricating Oil Cooler Cover | 1 | |
| <input type="checkbox"/> | 18 | 3936365 | Pressure Relief Valve | 1 | |
| <input type="checkbox"/> | | 3934410 | Bypass Valve | 1 | |
| <input type="checkbox"/> | 19 | 3201562 | O-Ring Seal | 1 | |
| <input type="checkbox"/> | 20 | 3934278 | Bypass Valve | 1 | |